

UP0151P-() ()P SERIES

15 Watt AC/DC Adapter

- ◆ Universal Input 90 to 264 VAC
- ◆ Conductive EMI Meets FCC/CISPR Class B
- ◆ Designed to Meets UL,CSA,TUV Safety Standards

SPECIFICATIONS

All specifications are typical at nominal line, full load and 25°C unless otherwise noted.

INPUT SPECIFICATIONS

Input Voltage Range 90-264VAC
Input Frequency 47-63 Hz
Inrush Current 30A max.(Cold Start)

GENERAL SPECIFICATIONS

Hold-up Time 10mS typ.
Leakage Current 0.25mA max.
Short Circuit Protection Continuous
Overvoltage Protection Option
Continuous Output Power 15W max.
Hi-pot Isolation: Input / Output 4242 VDC

ENVIRONMENTAL SPECIFICATIONS

Operating Temperature Range 0°C to 50°C
Derating 40°C to 50°C 2%/°C
Temperature Coefficient ± 0.02%/°C
Storage Temperature Range -40°C to +85°C
Humidity, Non-Condensing 0 to 95% RH
Cooling Free- Air Convection
EMI Filter(on Board):
Conducted Meets FCC/CISPR 22 Class B
Specification

OUTPUT SPECIFICATIONS

Model Number	Output Voltage ¹ (Volts)	Output Current (Amps)		Max. Power	Efficiency (typ.)	Ripple ² P-P (mV)	Total Regulation ³
		Min.	Rated				
UP0151P-05P	5	0	2	10W	65%	50	± 4%
UP0151P-09P	9	0	1.33	12W	68%	90	± 3%
UP0151P-12P	12	0	1	12W	68%	120	± 3%
UP0151P-15P	15	0	1	15W	70%	150	± 3%
UP0151P-18P	18	0	0.83	15W	70%	180	± 3%
UP0151P-24P	24	0	0.625	15W	75%	240	± 3%

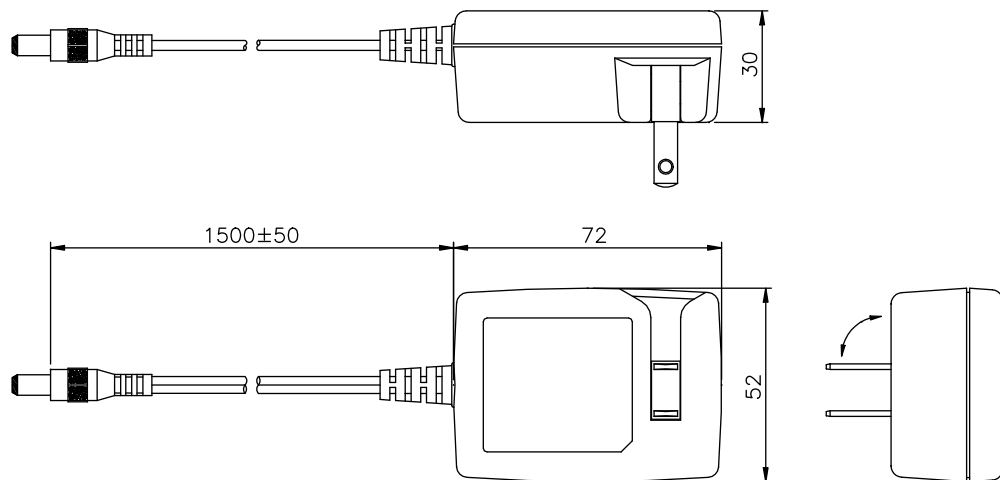
NOTES:

1. The output voltage is set to $\pm 1\%$, with the output at rated load.
2. Add a 0.1uF ceramic capacitor and a 10uF E.L. capacitor to the output cable. Peak to peak and RMS metering equipment shall have a 20 MHz response with probes and cables maintaining frequency response from 200 Hz to 100MHz bandwidth. Output ripple and spikes are measured directly at the output terminals of the power supply without the use of the probe ground clip.
3. Total regulation is defined as the static output regulation at 25°C, including initial tolerance, line voltage within stated limits.

PHYSICAL SPECIFICATIONS

Weight : 100g

Case Material : PC+ABS Plastic UL94V-0 Flammability Rated



DC plug & pin assignment (CUSTOM DESIGN IS AVAILABLE) IN 2.5/ OUT5.5 DC PLUG FEMALES

NOTES:

1. All dimensions in mm.
2. Tolerance(except cable length): ± 1 .